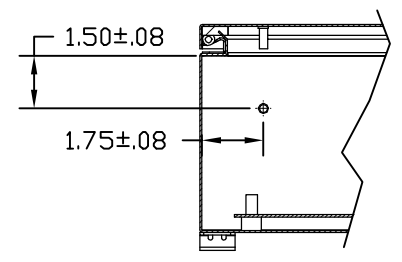
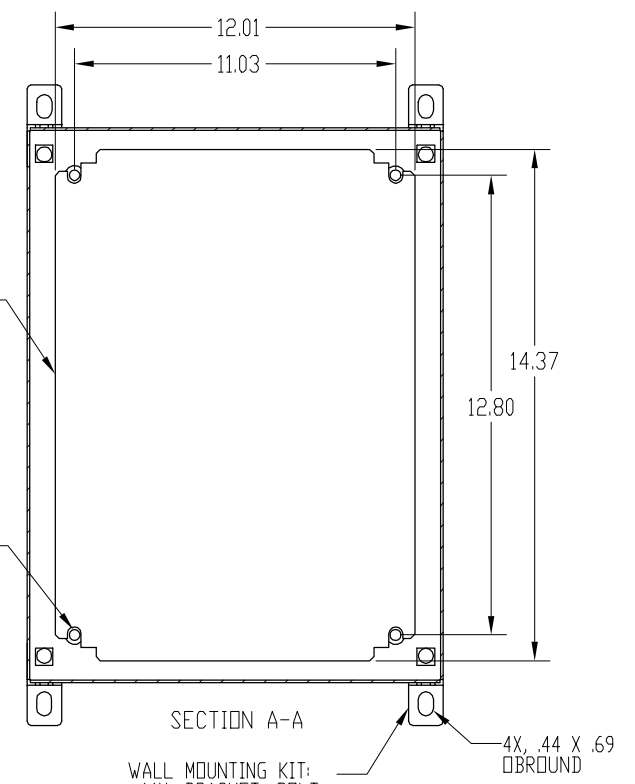
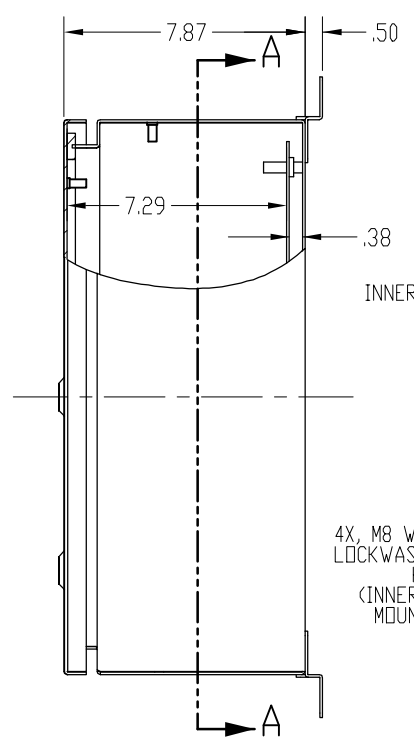
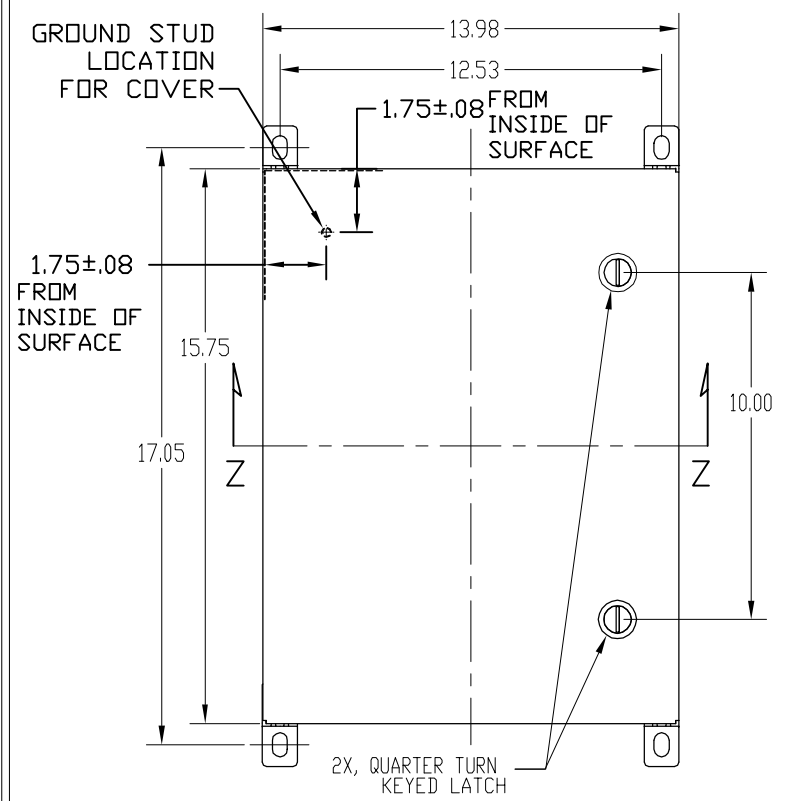


PART NAME	NEMA SHEET METAL BOX- STYLE B	PART No.	SNB-3743	REVISION DATE	9-07-10
-----------	-------------------------------	----------	----------	---------------	---------



SECTION Z-Z
SHOWING BOX
GROUND STUD
LOCATION

MATERIAL:

- BODY & COVER - 16 GA. [.062" (1.5mm)] COLD ROLLED STEEL
- PANEL - 14 GA. [.078" (2mm) THK.] COLD ROLLED STEEL
- MOUNTING BRACKETS AND HARDWARE - 14 GA. [.078" (2mm)] STAINLESS STEEL
- GASKET - NEOPRENE

FINISH:

- BODY & COVER - LIGHT GRAY POWDER COAT PAINT
- PANEL - ZINC CHROMATE
- MOUNTING BRACKETS - NATURAL

DIMENSIONS ARE IN INCHES